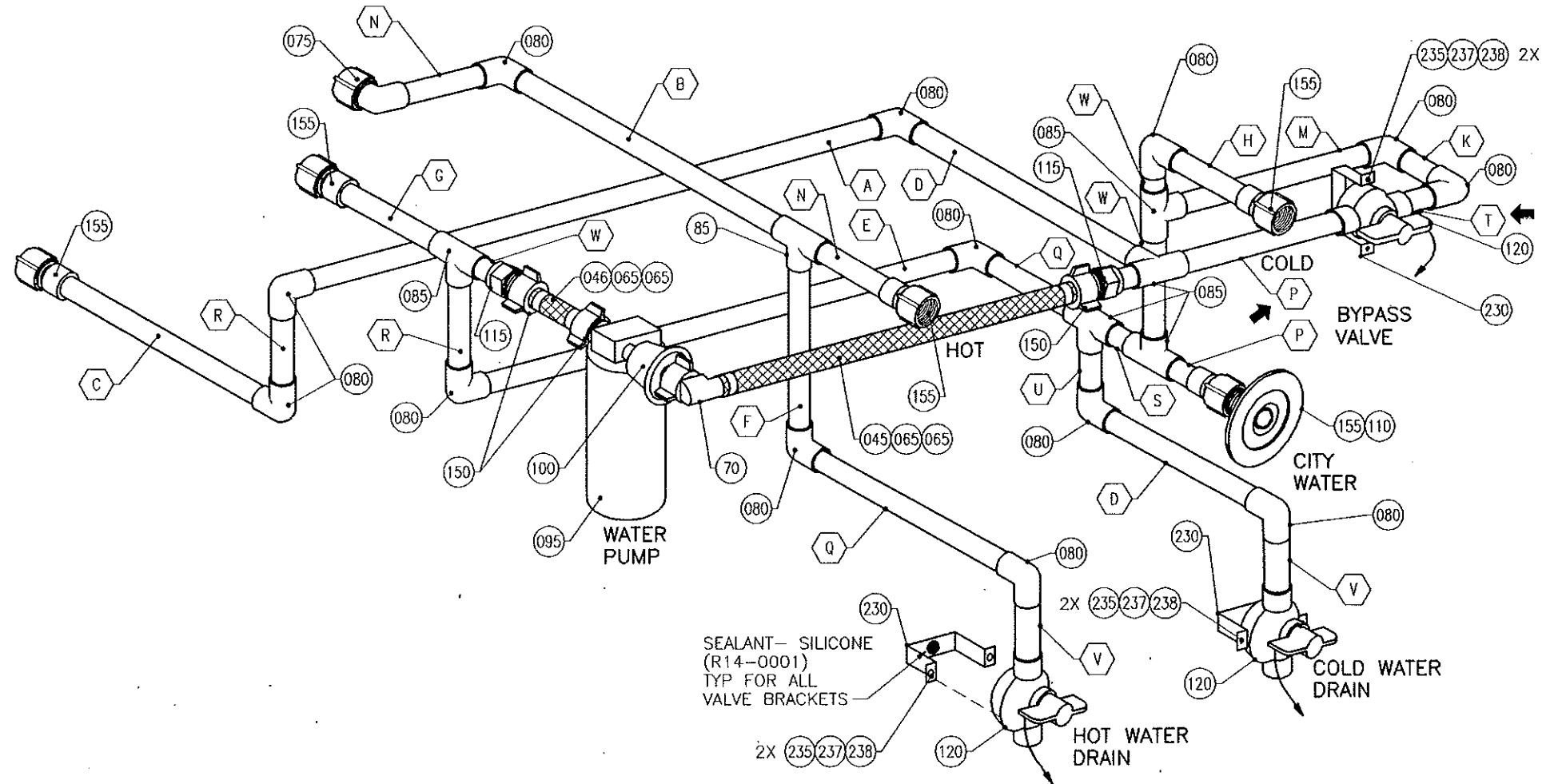


| | | | | | | |
|--------------|-------------|----------|----|----------------------------------|------------|--|
| D.C. RELEASE | DESCRIPTION | DATE | BY | SCALE: 3" = 1'-0" | USED ON: | FLEETWOOD PAGE NO. 707-03-30250 |
| 99-02 | | 04-29-98 | AT | DRAWN: K. Kirk DATE: 03-03-98 | | |
| 99-03 | | 06-26-98 | SM | PROJECT: 99707804 | | TITLE: SERVICE COMPARTMENT- RIGHT HAND |
| 99-04 | | 07-15-98 | MD | PLOT: 07/15/98 07:49:53 01doublm | AUX. INFO. | |

SECURED
THIS DRAWING IS SECURED DO NOT MODIFY

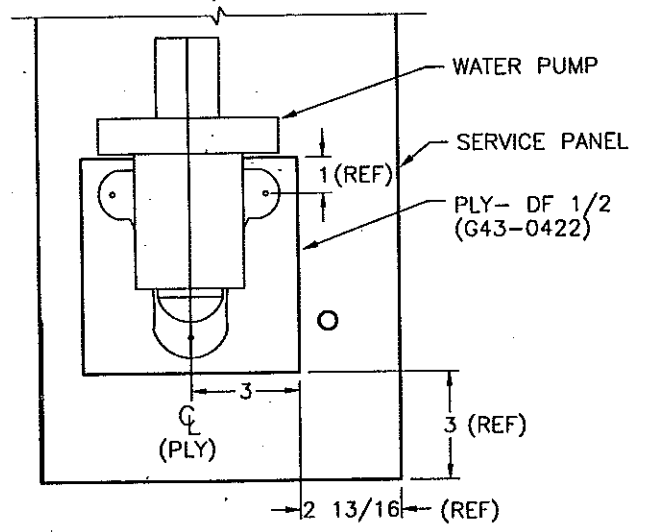
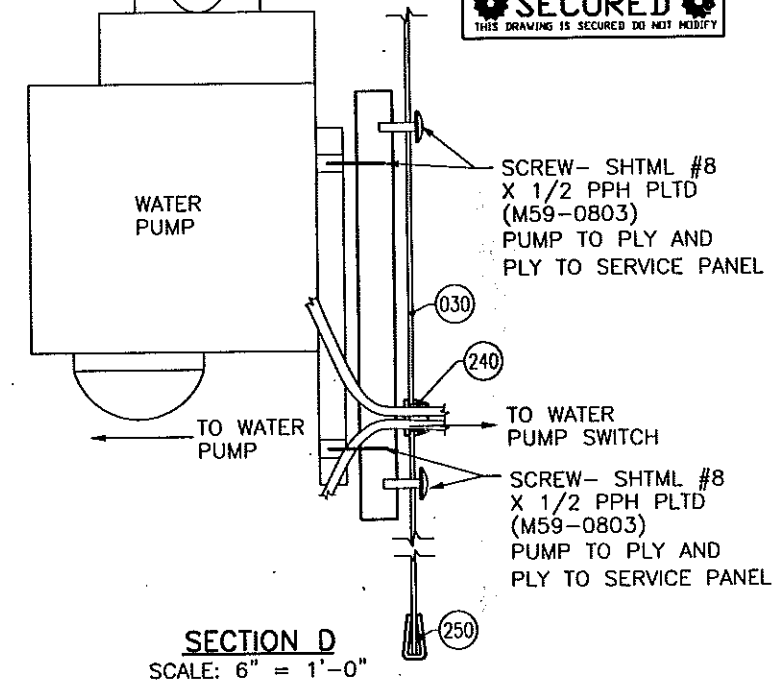
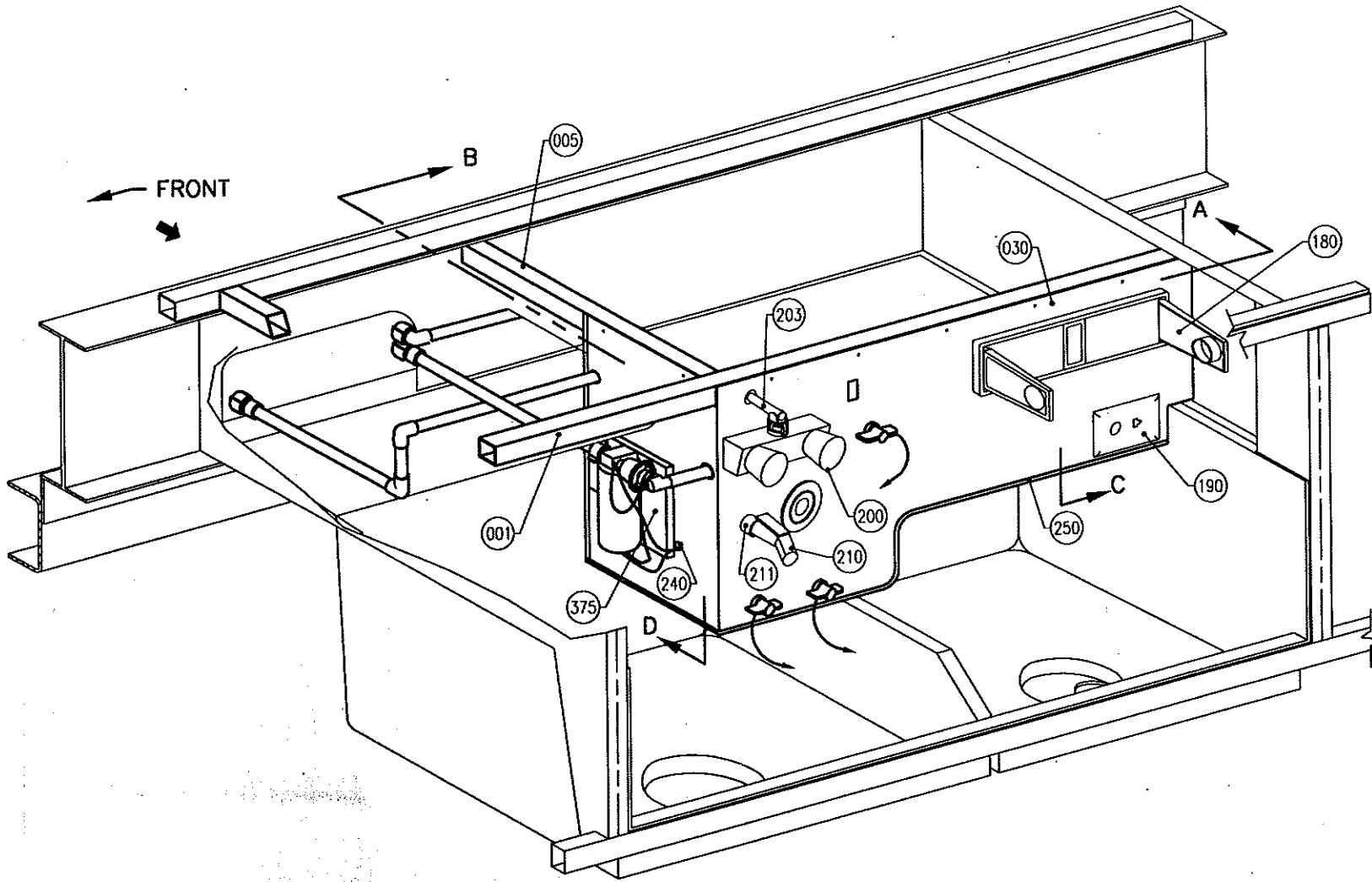
| TUBING- 1/2ID | | |
|---------------|--------|-----|
| A | 17 | (1) |
| B | 11 5/8 | (1) |
| C | 9 3/4 | (1) |
| D | 7 3/4 | (2) |
| E | 7 1/8 | (1) |
| F | 6 1/2 | (1) |
| G | 6 | (1) |
| H | 5 1/4 | (1) |
| K | 4 1/2 | (1) |
| M | 4 3/8 | (1) |
| N | 4 | (2) |
| P | 4 3/8 | (2) |
| Q | 3 1/4 | (2) |
| R | 2 3/4 | (2) |
| S | 2 1/2 | (1) |
| T | 1 1/8 | (1) |
| U | 2 | (1) |
| V | 1 3/4 | (2) |
| W | 1 1/2 | (4) |
| X | | |
| Y | | |



NOTES:
1. INSTALL VALVES (ITEM #120) SO HANDLES ROTATE AS SHOWN.

| D.C. RELEASE | DESCRIPTION | DATE | BY | SCALE: 1 1/2" = 1'-0" | USED ON: |
|--------------|-------------|----------|----|---------------------------------|----------------|
| 99-04 | | 07-16-98 | KK | DRAWN: K. Kirk | DATE: 03-03-98 |
| 99-09 | ECL #156 | 12-08-98 | KK | PROJECT: 99707810 | |
| 99-10 | | 01-28-99 | DP | PLOT: 01/28/99 09:15:01 01penad | AUX. INFO. |

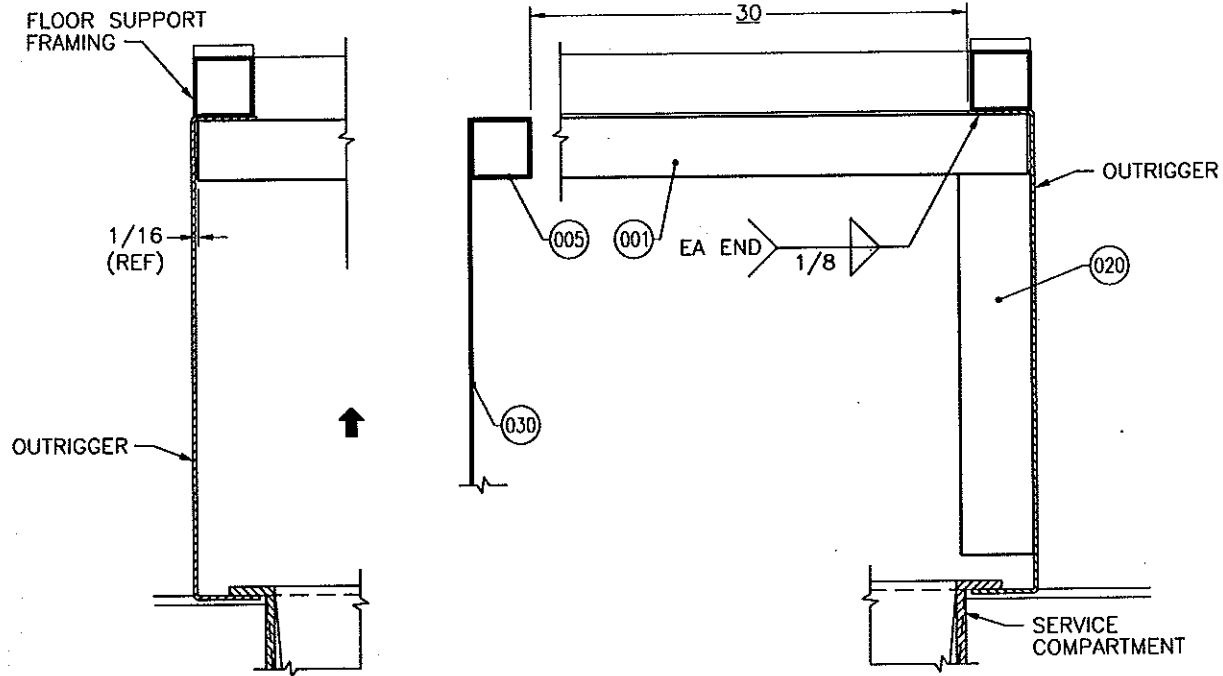
SECURED
 THIS DRAWING IS SECURED DO NOT MODIFY



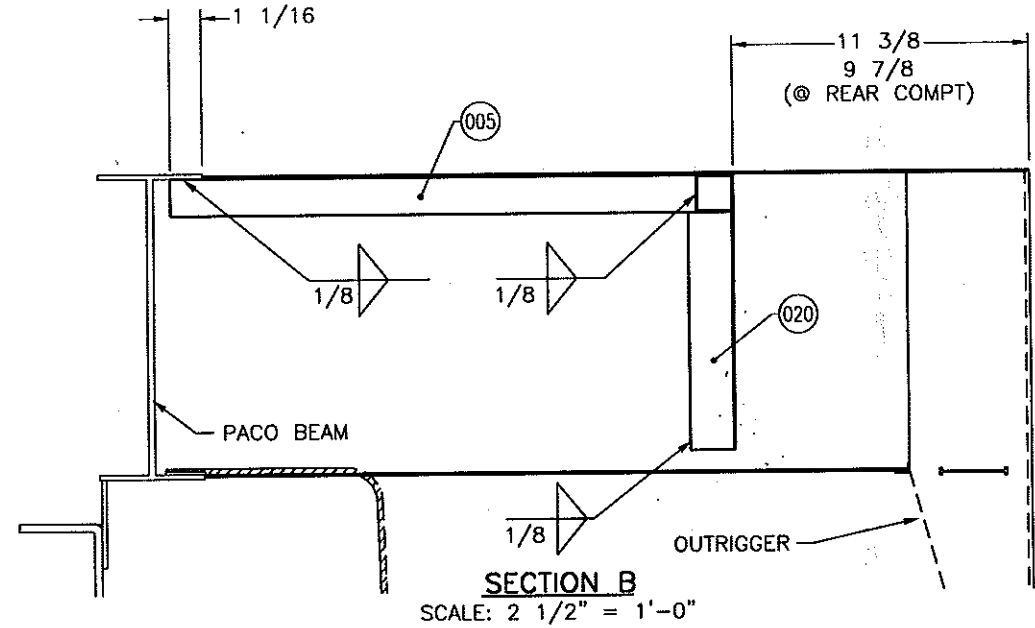
PLY LOCATION DETAIL
 SCALE: 3" = 1'-0"

| | | | | | | | |
|--------------|-------------|----------|----|---------------------------------|----------------|--|----------------------------|
| D.C. RELEASE | DESCRIPTION | DATE | BY | SCALE: 2 1/2" = 1'-0" | USED ON: | FLEETWOOD RECREATIONAL VEHICLE GROUP | PAGE NO. 707-03-30250 |
| | | | | DRAWN: D. Behrens | DATE: 03-05-98 | | RECREATIONAL VEHICLE GROUP |
| 99-00 | | 03-05-98 | DB | PROJECT: 99707810 | | TITLE: SERVICE COMPARTMENT- RIGHT HAND | |
| 99-10 | | 01-28-99 | DP | PLOT: 01/28/99 09:30:10 01penad | AUX INFO. | | |

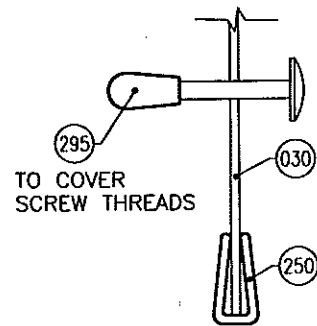
SECURED
THIS DRAWING IS SECURED DO NOT MODIFY



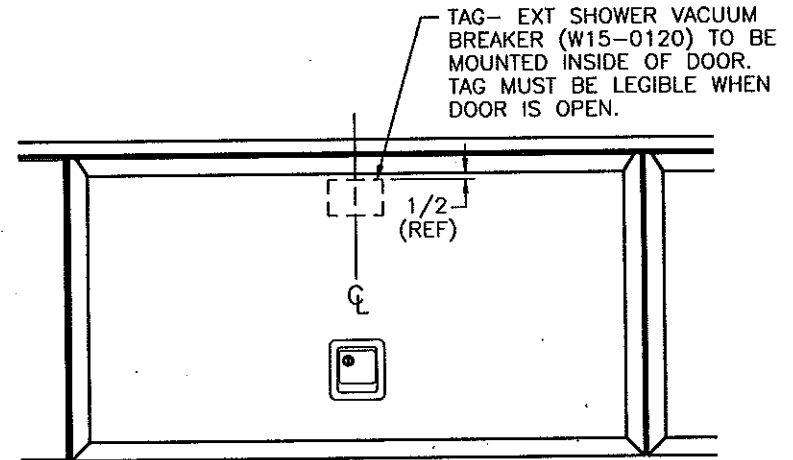
SECTION A
SCALE: 4" = 1'-0"



SECTION B
SCALE: 2 1/2" = 1'-0"



SECTION C
SCALE: 12" = 1'-0"



TAG LOCATION DETAIL
SCALE: 1" = 1'-0"